

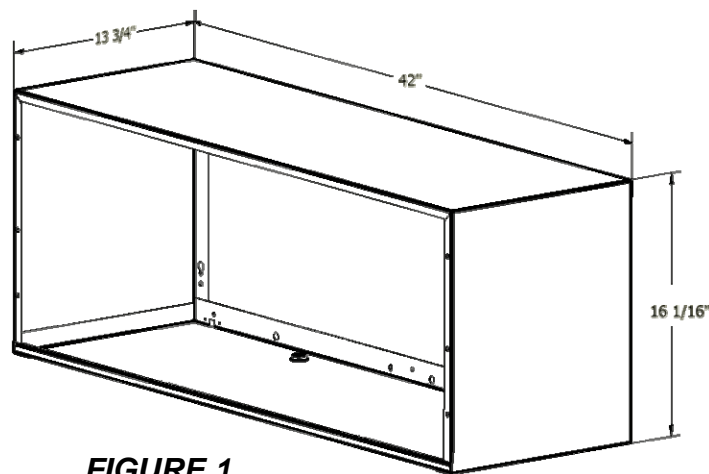
*The wall sleeve must be installed before the air conditioner or heat pump chassis can be set in place. Read the instructions thoroughly before proceeding.*

When 230/208 volt PTAC units are to be installed, the power supply may be either cord connected or permanent wiring. Permanent wiring may be done through the hardwire junction box, or the accessory subbase.

**IMPORTANT: Installer is responsible for complying with all building and National Electrical Codes.**

When 265 volt PTAC units are to be installed, the power supply must be permanent wiring. Permanent wiring may be done through the accessory hardwire junction box, or the accessory subbase. An exposed cord connection on 265 volt units are not permitted.

The subbase accessory includes leveling legs. If additional wall sleeve support is required and the subbase is not to be used an accessory leveling leg kit may be installed.



**FIGURE 1**

*Wall receptacle within 28" from bottom right side corner on 208/230 VAC only.*

## PRE-INSTALLATION CONSIDERATIONS

- The wall opening must be 16 ¼" x 42 ¼". See **Figure 2**
- The wall sleeve must be located between 3 ¼" to 5 ½" above the floor (including carpeting).
- If the sleeve projects more than 4" into a room, install a subbase for support.
- If installed in a concrete or masonry wall, a lintel must be provided in the wall opening for support. **Do not use the wall sleeve as a lintel.**
- The wall sleeve must be horizontally level from side to side and **1/4" bubble tilt to the outside.**
- The installer must determine and supply the mounting bolts and/or screws to attach the wall sleeve to the wall opening.
- The installer must provide adequate sealing and insulation around the sleeve after installation.
- If used, a 208/230-volt wall receptacle must be located within 28" of the lower right sleeve corner. Do not use extension cords.
- If the wall is deeper than 13 7/8", see your Sales Representative for correct installation.
- There should be nothing within 20" of the back that would interfere with heat radiation and exhaust air flow.
- Do not drill into bottom of sleeve wall unless installing internal Drain Kit refer to instructions.
- The wall sleeve must extend 5/8" beyond the building exterior to assure proper drainage and to allow weather-tight caulking.

**IMPORTANT:** *Installer is responsible for complying with all building and National Electrical Codes*

1. Slide the wall sleeve into the wall opening. The unit chassis must fit snugly and uniformly in the wall sleeve. See **Figure 2**
2. Locate the sleeve within the range of minimum projections.
3. Check the level of the wall sleeve for proper drainage. The wall sleeve should be level from side to side. There should be a 1/4" pitch from inside to outside for proper drainage. **DO NOT SLOPE THE WALL SLEEVE TOWARD THE ROOM.**
4. An indoor/outdoor drain kit is available as an accessory item. When a drain kit is to be installed, do so before installing the wall sleeve in the wall. See the drain kit for actual installation instructions.

